

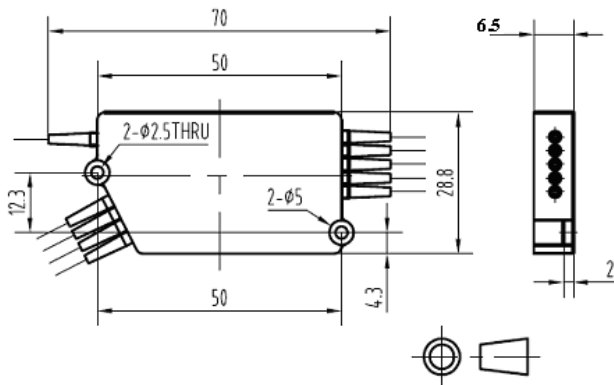
Mini Size CWDM Module (MCWDM)

Features	
Low insertion loss & High channel isolation High stability and reliability	
Application	
CWDM system	
Metro/Access Networks CATV Fiberoptic System	

Specifications

Parameter		4 Channels	8 Channels
CWDM Channel Insertion Loss (dB)		≤1.0 (Typ 0.8)	≤1.5 (Typ 1.0)
Upgrade channel Insertion Loss (dB) (Optional)		≤1.0	≤1.5
Central wavelength (nm)		1471, 1491, 1511, 1531, 1551, 1571, 1591, 1611	
Channel space (nm)		20	
Channel bandwidth (nm)		$\lambda_c \pm 6.5$	
Isolation (dB)	adjacent channel	≥30	
	non-adjacent channel	≥45	
Directivity (dB)		≥55	
Return loss (dB)		≥45	
PDL (dB)		≤0.20	
PMD (ps)		≤0.20	
Power handling (mW)		≤300	
Operating temperature (°C)		0 ~ +70	
Storage temperature (°C)		-40 ~ +85	
Dimensions (mm)		50x28.8x6.5	

Package Dimensions:



Ordering Information:

MCWDM	Type	Port Type	Wavelength	Pigtail Type	Fiber Type	Length	UpgradeType	Connector
	M=Mux D=Demux	4=4ch 8=8ch	1471 1491 1611	250=250um 900=900um	1=SMF-28e	1= 1m	WO=W/O UPG Ch W=With UPG Ch	NE=None FA=FC/APC FC=FC/UPC SA=SC/APC SC=SC/UPC LC=LC/UPC LA=LC/APC XX=Other